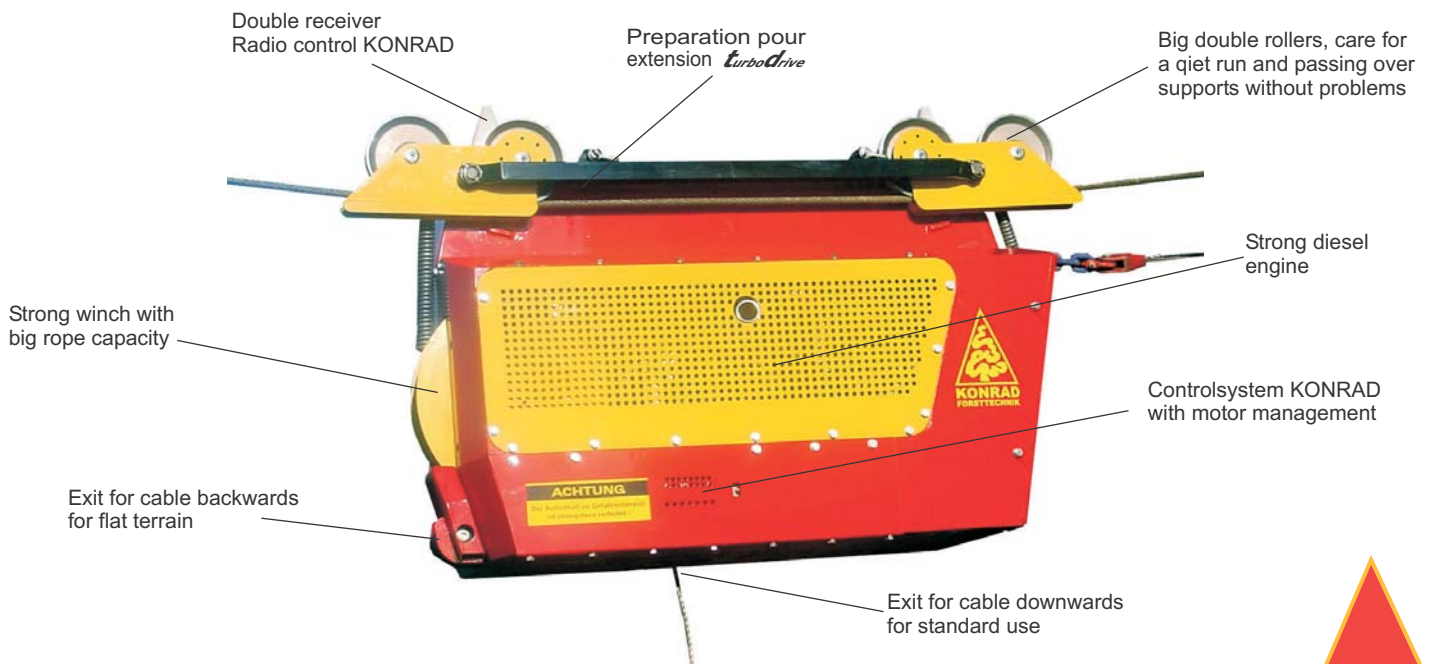


Skyline Crane Liftliner 4000

The innovative skyline crane system



With the new radio controlled skyline crane Liftliner 4000 it is possible, to operate the functions load up/down and moving the crane at the same time. Therefore one can work very efficient and careful when thinning the forest, and also it is possible, to place the trees exactly on the desired spot at the offloading point. Because of a separate winch for the load, the pulling cable is fixed on the skyline crane and has the duty to "pull" the crane. Therefore the crane without clamps "Liftliner 4000" works without wear on the pulling and carrying cables.

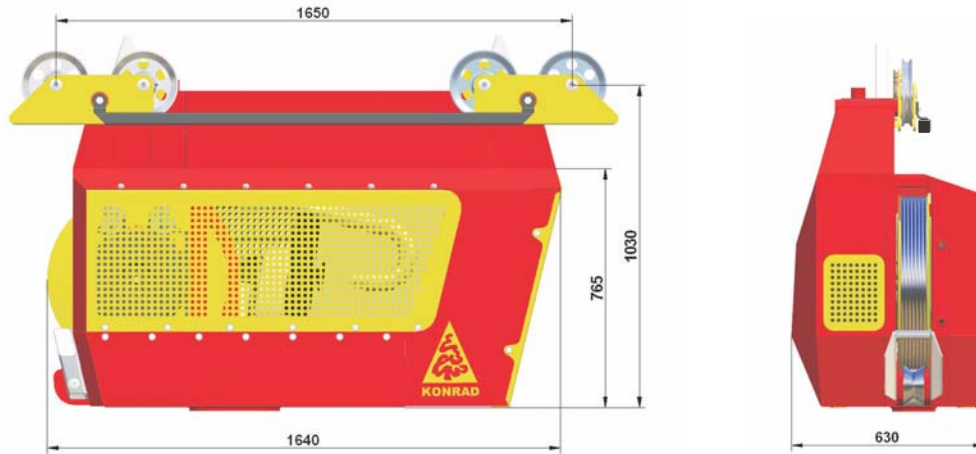


One step further.



Skyline Crane Liftliner 4000

Convincing technical datas



Technical datas

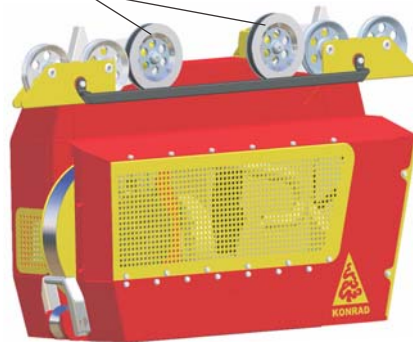
Carrying cable	D 20 mm / D 22 mm
Hoisting cable	D 12 mm comp. 100m
Force of the winch	40 kN (4 to)
Motor	IVECO 100 HP
Weight	850 kg
Radiocontrol crane	KONRAD FS 12
Crane control	KONRAD

Option *td*

The additional system *td* replaces in flat areas the recovery cable. When driving loaded, the crane is pulled by the pulling cable.

Driving speed	10 m / sec (max.)
Driving force	2 x 750 N

turboDrive driving unit



The technical datas are for the standard version.
Other version on request. We reserve the right
for technical changes.



Konrad Forsttechnik GmbH

A 9451 Preitenegg
Oberpreitenegg 52
Tel.: +43(0)4354 2432-0
Fax: +43(0)4354 2432-35
e-Mail: office@forsttechnik.at
www.forsttechnik.at