

Mountain harvester MOUNTY 4000, 4100

In operation

The wood is cut down in one operation and in the „whole tree method“ pulled to the combi-machine where it's de-branched or formed and then piled onto the forest path. The logs can then be transported by truck.



Application method, uphill:

Standard equipment- remote controlled wagon. The integrated motor supported hauling winch enables a relevant load alleviation for personnel.



Application method, downhill:

Remote controlled wagon WOODLINER. This self-driven wagon enables an installation without a hauling aid and return cable.



Combination Mounty - Highlander

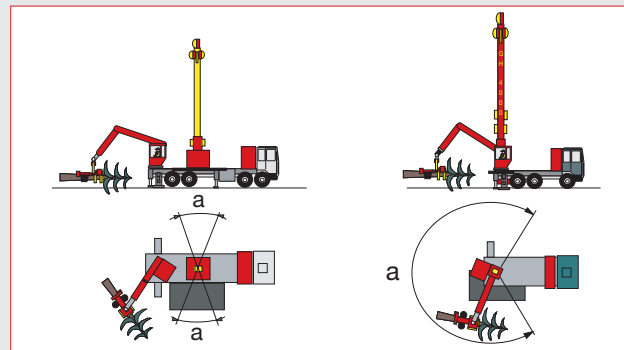
The wood is cut down by the Highlander and directly passed on to the carriage. The carriage then brings the wood automatically to the Mounty where it is disbranched and cross cut. This enables a rational work process, widely uninfluenced by weather conditions without long mounting times.

Radio-engineering

The control system of the following elements is via remote (standard):

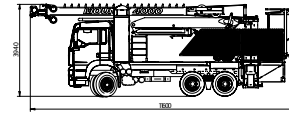
- Hauling cable
- Tilt facility
- Support unit
- Landing ramp
- Additional cable winch
- Tension cable-drums

The MOUNTY in comparison to other systems

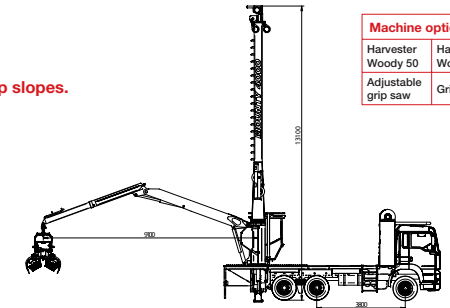


MOUNTY 4000

A class of it's own: MOUNTY 4000 and strong wood on steep slopes.



Strongwood machine MOUNTY 4000 in transport position



Machine options:

Harvester Woody 50	Harvester Woody 60
Adjustable grip saw	Grip

Technical data:

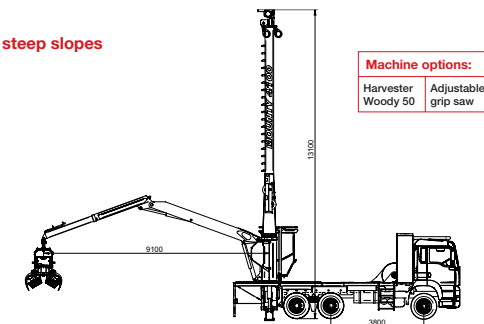
MOUNTY 4000

Carrying cable	550m / 20mm komp.
Hauling cable	650m / 12mm komp.
Hauling cable winch	40kN / 5(10) m/Sek
Crane hoist moment	220 kNm
Swing torque	42 kNm
Basis unit/power	MAN TGA 33430 FDAC/6x6 /430 PS

Option: Smal wood -variant: Carrying cable 18mm, Hauling cable 11mm, Woody 50H

MOUNTY 4100

A class of it s own: MOUNTY 4100 and strong wood on steep slopes



Machine options:

Harvester Woody 50	Adjustable grip saw	Grip
--------------------	---------------------	------

Technical data:

MOUNTY 4100

Carrying cable	800m / 22mm komp.
Hauling cable	900m / 12mm komp.
Hauling cable winch	40kN / 5(10) m/Sek
Crane hoist moment	220 kNm
Swing torque	42 kNm
Basis unit/power	MAN TGA 33430 FDAC/6x6 /430 PS

The technical data refers to the standard model.

Mountain harvester MOUNTY 4000, 4100

The economical solution for the steep slope from the one hand.

Not just the cable crane but also the Harvester unit, the driver's cab, the complete truck construction as well as the complete machine and remote control originates from the company KONRAD.

For our clients, this means:

- We have the first series fabrication of such combi-machines.
- A guaranteed higher quality as well as an increased level of endurance
- Extensive warranty with service carried out by the manufacturer for the complete machine
- An Austrian quality product.
- Working methods kind to forests.
- All working methods can be carried out by the one machine.
- Due to low moving costs, the combi-machine is also economical for small amounts of lumbering
- The innovative construction shortens installation time.
- The high skyline crane often allows for an installation without saddle support and gives the working crane extra stability.
- The wide mast provides extra protection for the machinist during uphill hoisting.
- High power at a low machinery cost.



The perfectly co-ordinating components provide a compact and extremely efficient machine.



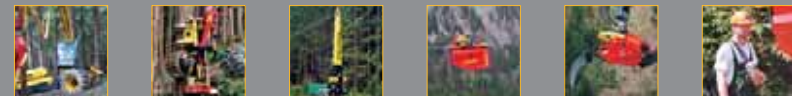
Prize for innovation and research
Carinthia, Austria



One step further.

Mountain harvester MOUNTY 4000, 4100

The economical solution for the steep slope from the one hand.



One step further.



KONRAD

Konrad Forsttechnik GmbH

A 9451 Preitenegg
Oberpreitenegg 52
Tel.: +43(0)4354 2432-0
Fax: +43(0)4354 2432-35
e-Mail: office@forsttechnik.at
www.forsttechnik.at